

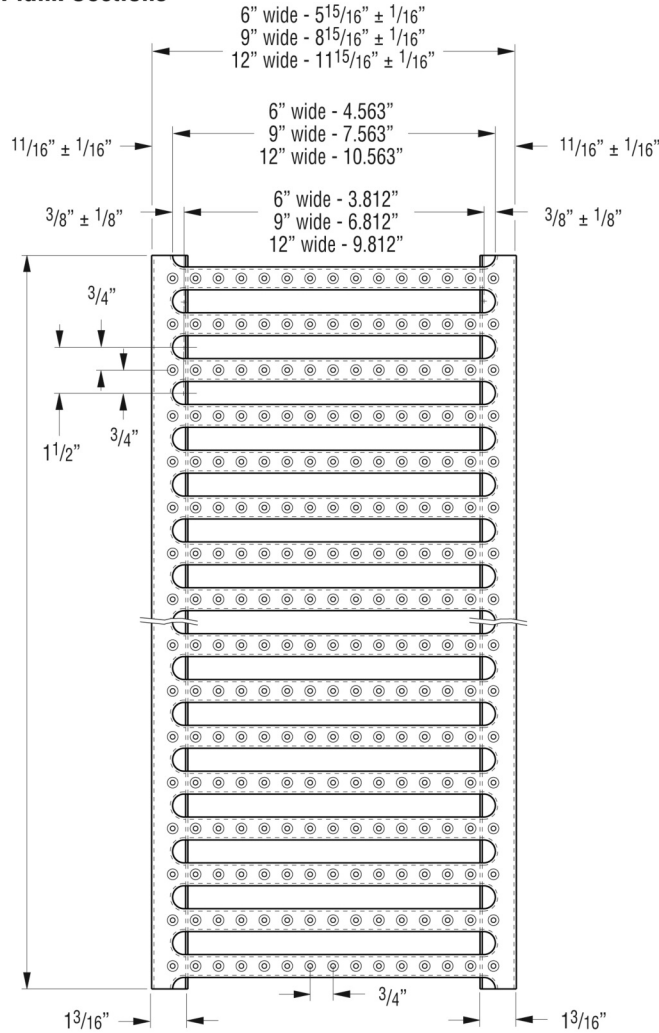
SAFETY GRATING



GRATE-LOCK™ System Components

GRATE-LOCK™ Grating Non-Slip Components

Plank Sections

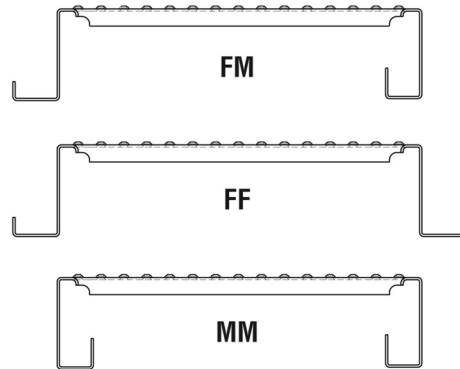


- Widths:** 3", 4"(*), 6", 9", 12"
Heights: 1 1/2"(**), 2 1/2", 3"(*), 4"(*)
Gauges: 18, 16(*), 14
Lengths: 12'-0", 20'-0", 24'-0"
 Other Lengths Available

Note: 3" & 4" filler plank is solid. FM interlock.

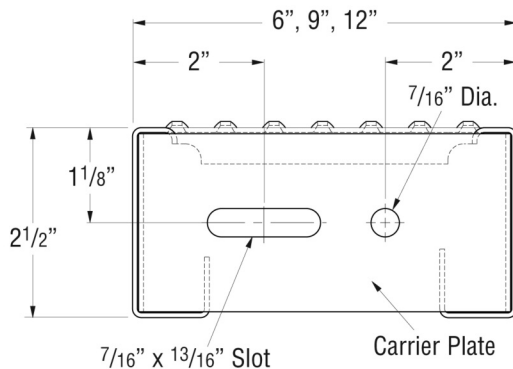
(*) Special quote required.

(**) The 1 1/2" product is available only in 12'-0" length and differs in side channel detail and loading capabilities. See pages 8 & 9.



Stair Treads

Stair treads are available in standard and custom designs.



Stair Tread Design and Selection Table

Span	U	C	U	C	U	C
2'-0"	3722	1461	2357	974	1276	730
2'-6"	2382	1168	1508	974	816	730
3'-0"	1654	1241	1050	974	783	730
4'-0" (1)	931	931	593	889	442	730

U - Uniform Load (lb/sq. ft) C - Concentrated Load (lb)

(1) Intermediate stringer recommended for spans over 4