

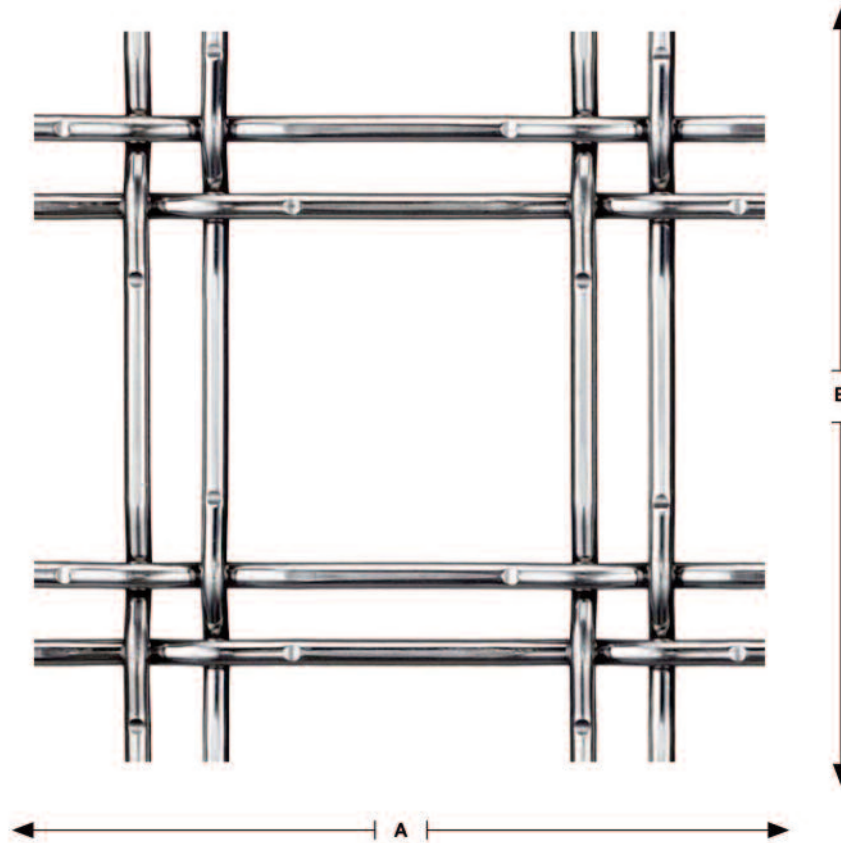
# ARCHITECTURAL WIRE MESH

DIRECT METALS



We manufacture in accordance with NAAMM Standards

ISO 9001:2008 Certified



## DMM22-27

MESH CATEGORY .....	Large
% OPEN AREA .....	75%
WEIGHT .....	1.40 lbs/sq ft
CRIMP STYLE .....	2L2L
MAXIMUM "A" DIMENSION .....	240"
MAXIMUM "B" DIMENSION .....	120"
OPENING LIMITATION** .....	1.925"
OVERALL THICKNESS .....	0.324"
ASPECT RATIO .....	1.00 : 1
AVAILABLE ALLOYS .....	Stainless, Mild Steel, Aluminum, Copper, Bronze, Brass, Pre-Galv, Galfan

\*\*Maximum sphere diameter which will pass through opening

Product specifications are subject to change. Measurements and data are approximate and should be confirmed with a physical sample.

Direct Metals Company, LLC makes no representation or warranty (express or implied) regarding these drawings as they are conceptual in nature. It is the customer's responsibility to have all information and products verified to determine the suitability for the application. The customer assumes all risk and liability for any losses, claims or damage resulting from such use. Certain numbers may be rounded up or down for example purposes.